



水式模温机

Water Type Mold Temperature Controller

TTW

水式模温机 Water Type Mold Temperature Controller

TTW

● 特点 Features

- 电控箱与机身隔离，隔热效果佳，电器使用寿命长。
 - 模温机专用触摸屏控制器，控温更合理，省电35%以上。
 - 安全保护及故障指示系统完善，维修方便无需专业人员。
 - 进口高级组件，使用年限长。
 - 升降温速度快，温度精确稳定，可达 $\pm 0.1^{\circ}\text{C}$ 。
 - 独特的加热设计，适合不同温控场所使用，节能效果明显。
 - 主管路采用304不锈钢一体成型，管损小，加热均匀，使用寿命长。
 - 开机自动排气功能。
 - 吹气回水功能。
- Electronic control panel and machine body are isolated to acquire good effects on heat insulation in order to extend the service life of electrical components.
 - P.I.D multi-stage temperature control system can save power up to 35% thanks to control temperature accurately & reasonably.
 - Perfect safety protection and error indication display which are easymaintained and repaired ,even without professionals can do it.
 - Imported hi-class parts with long service life.
 - Rapid heating and cool down speeds lead temperature to be kept precisely and stably with accuracy up to ± 0.1 .
 - Unique heating design are suitable to different temperature control application with excellent & distinct power saving.
 - 304 stainless steel integrated pipelines with less pipe resistance and even heating for long service life.
 - Automatic air-exhausting function after startup.
 - Air blowing and return water function.

冷却单元的冷却器结构获得实用新型专利 Practical New Patent for structure of cooler

专利号/Patent No: ZL 201120245120.X



使用水为传热媒介，以直接（低温型）或间接冷却（高温型）方式达到热交换。具有热传导效率高，污染少，水资源容易取得，使用成本低等优点。标准型温度控制达 $120\sim 180^{\circ}\text{C}$ 。

Water Type Mold Temperature Controller use water as heating media to realize heat exchange by direct cooling for standard temperature control from $120\sim 180^{\circ}\text{C}$. Water type has its superiorities with high efficient heat transmission, less pollution, water resource easy to be attained with low cost.

● 安全保护及指示系统 Safety Protecting and Indiction System

安全保护及指示系统

Safty Protection and Indiction System

电源欠相保护

Power lack-phase protection

总电源保护及指示灯

Power supply protection and indicating lamp

泵反转保护及指示灯

Pump reverse protection and indicating lamp

泵过载保护及指示灯

Pump overload protection and indicating lamp

缺水保护及指示灯

Water shortage protection and indicating lamp

过热保护及指示灯

Overheat protection and indicating lamp

热水By-pass压力回路

Hot water by-pass pressure release loop

强制冷却

Forced cooling

温度异常警报

Abnormal temperature alarm

异常警报蜂鸣器

Abnormal alarm buzzer



水式模温机
Dual-purpose water type mold
temperature controller

● 选择加装配件 Options

感温棒接到外部配线

Thermocouplen for connecting external wiring

精密水质滤芯器

Large water filter

防漏电保护开关

Leakage protection switch

电压异常保护开关

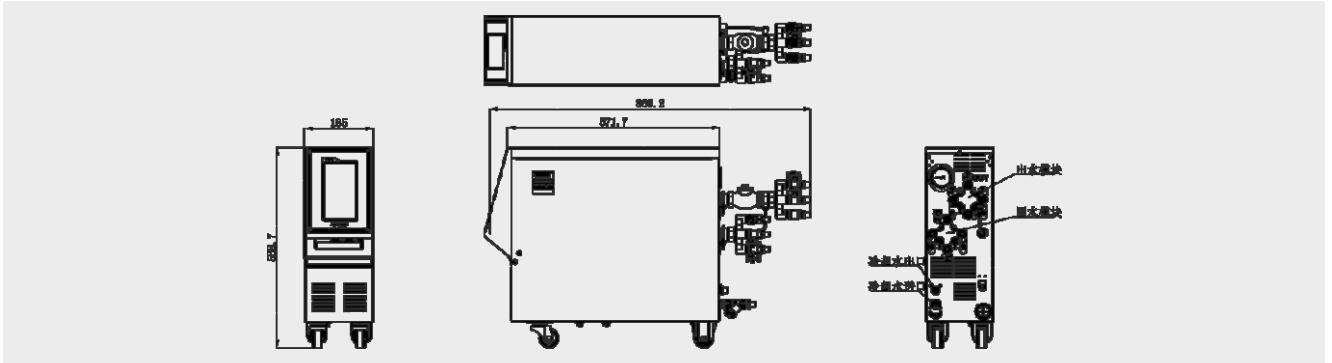
Abnormal voltage protection switch

铁弗龙管

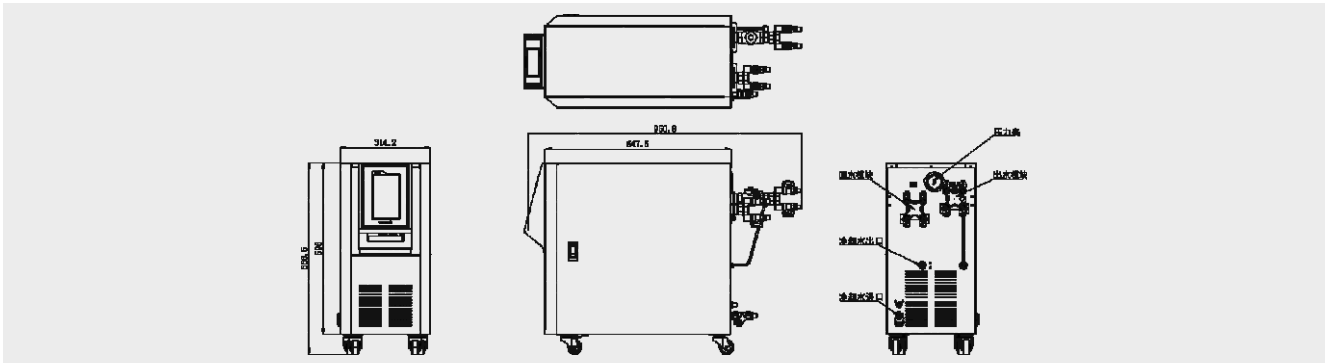
Teflon hose

● 产品结构图 Product Structure Diagram

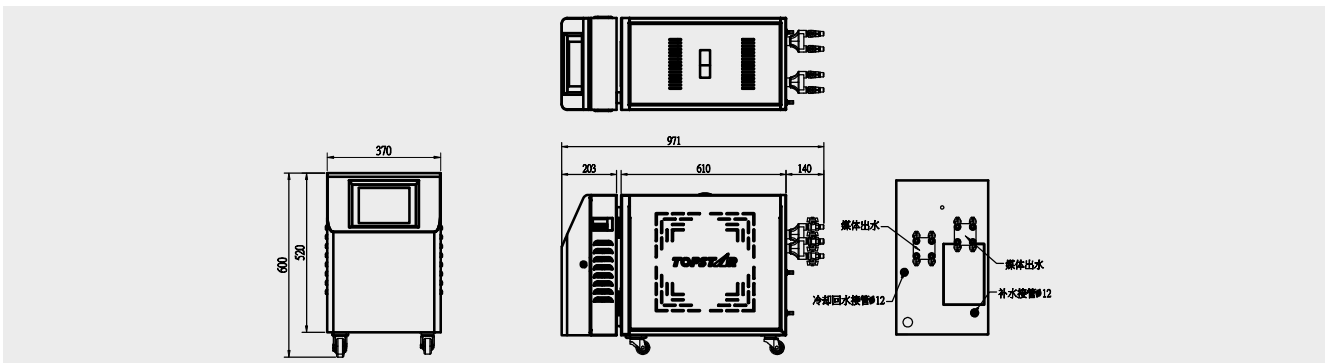
1、TTWP-1210(不含选配件)



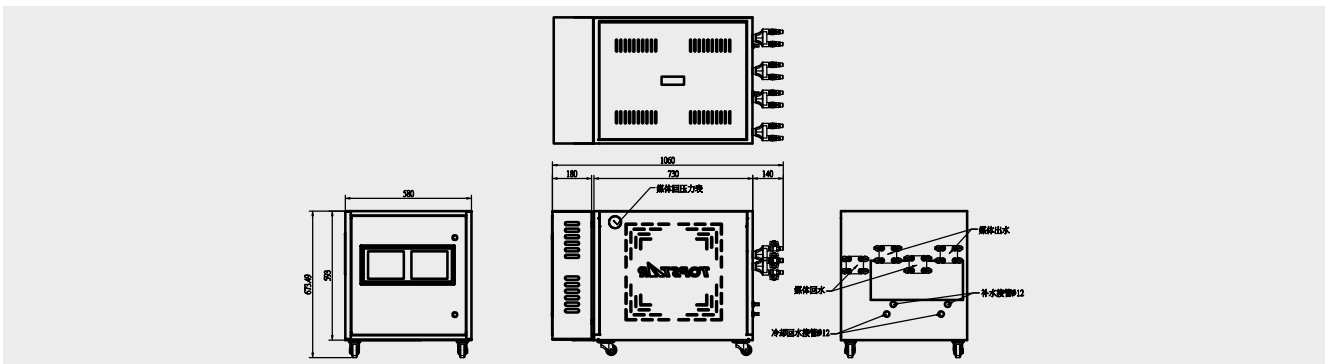
2.TTWP-1220/1230(不含选配件)



3、TTW-1610C/1810C(不含选配件)



4.TTW-1610DC/1810DC(不含选配件)



● 规格表 Specification Sheet

产品型号 Model		TTWP-1210	TTWP-1220	TTWP-1230	TTW-123018C	TTW-125030C	TTW-1610C	TTW-1620C	TTW-163018C	TTW-1810C	TTW-1820C	TTWC-1210C	
适用范围 range of application		清水 clean water											纯水 pure water
最高温度 max temperature	℃	120					160			180		120	
最低温度 min temperature	℃	冷却水温度+20℃ water temperature +20℃											
热媒体 medium		清水 clean water											纯水 pure water
冷却方式 cool mode		直接冷却 direct cool					间接冷却 indirect cool						
加热线功率 heater capacity	KW	8	12	12(12x2)	9x2	15x2	9	12	9x2	9	12	9	
媒体泵 dumnd	功率 power	KW	0.75	1.5	2.8	2.2	3.7	0.75	1.5	2.2	1.1	1.5	0.75
	最大流量 max.flow	Lr/min	60	85	107	280	475	50	85	280	71	90	60
	最大压力 max.pressure	Mpa	0.35	0.69	0.8	0.28	0.35	0.48	0.69	0.28	0.55	0.7	0.35
	流量 flow	Lr/min	58/40/20	60/42/24	80/60/40	250/200/130	400/310/170	44/36/28	70/55/40	250/200/130	58/35/11	65/40/20	58/40/20
压力 pressure	Mpa	0.1/0.2/0.3	0.2/0.4/0.6	0.2/0.35/0.5	0.1/0.15/0.2	0.1/0.2/0.3	0.1/0.25/0.4	0.1/0.25/0.4	0.1/0.15/0.2	0.1/0.25/0.4	0.1/0.25/0.4	0.1/0.2/0.3	
增压泵(W) booster pump	W	无 None					48						
媒体进出口径(分流器型式) inlet/outle pipe(splitter)		4进4出 4 in 4 out											
		3/8"											
补水口径 supply water pipe		Φ12											
冷却回水口径 water outlet pipe		Φ12											
补水流量要求(客户提供) L/min water flow(custmor)	L/min	10	15	30	45	60	30	30	45	30	45	水箱容积 (15L)	
压缩空气要求(清模选购项) compressed air(clean mould)		0.4-0.7mpa X 100L/min											
报警功能 alarm		逆相、媒体不足、媒体泵过负荷、温度探头断线、温度上下限报警 phase fault, lack medium, pump overload, thermcouple fault, temperature low/high limit alarm											
电源 power	主回路电压 main current power	V	380VAC 3P/PE 50Hz										
	控制回路电压 control current voltage	V	220VAC 1P/PE 50Hz										
	总电气容量(kW)Total electric capacity	200V/220V/380V	8.9	13.7	15(27)	20.4	33.9	10	13.7	20.5	10.3	13.7	10
主空开容量(A)Main breaker capacity	200V/220V	25	63	63	63	63	32	32	63	63	63	32	
	380V/415V/440V	16	25	32	32	63	25	25	63	32	32	25	
电源线 power line	M	5											
涂装色 color	机架本体 rack	白 (RAL7047) gray											
	电气箱门、封板 electric box, cover plate	蓝色(RAL5012) blue											
	SUS不锈钢部分 SUS stainless steel part	无 None											
重量 weight	KG	50	55	85	90	205	88	87	130	87	80	55	
外形尺寸(长×宽×高) dimensions (L×W×H)	mm	664×180×540	700×315×600	755×320×600	960×791×350	1285×500×926	1040×370×590	1040×370×590	1230×440×853	1040×370×590	1040×370×590	823×780×320	

注：产品规格若有变更，恕不另行通知。 We reserve right to change specifications without prior notice.

● 规格表 Specification Sheet

产品型号Model		TTW-1220DC	TTW-125030DC	TTW-1610DC	TTW-1620DC	TTW-1630DC	TTW-1810DC	TTW-1820DC	
适用范围 range of application		清水 clean water							
最高温度 max temperature	℃	120			160		180		
最低温度 min temperature	℃	冷却水温度+20℃ water temperature +20℃							
冷却方式 cool mode		直接冷却 directcool			间接冷却 indirectcool				
热媒体 medium		清水 clean water							
加热管功率 heater capacity	KW	12×2	15×4	9×2	12x2	9×4	9×2	12x2	
媒体泵 pump	功率 power	KW	1.5×2	3.7×2	0.75×2	1.5×2	2.2×2	1.1×2	1.5×2
	最大流量 max.flow	Lr/min	85	475	50	85	280	71	90
	最大压力 max.pressure	Mpa	0.69	0.35	0.48	0.69	0.28	0.55	0.7
	流量 flow	Lr/min	60/42/24	400/310/170	44/36/28	70/55/40	250/200/130	58/35/11	65/40/20
	压力 pressure	Mpa	0.2/0.4/0.6	0.1/0.2/0.3	01/0.25/0.4	0.1/0.25/0.4	0.1/0.15/0.2	0.1/0.25/0.4	0.1/0.25/0.4
增压泵(W) booster pump	W	无 None			48				
媒体进出口(分流器型) inlet/outle pipe(splitter)		4进4出×2 4in 4out×2	1进1出×2 1in 1out×2	4进4出×2 4in 4out×2					
		3/8"	1"	3/8"	3/8"	3/8"	3/8"	3/8"	
补水口径 supply water pipe		Φ12							
冷却回水口径 water outlet pipe		Φ12							
补水流量要求(客户提供) L/min water flow(custmor)	L/min	60	90	60	60	60	60	60	
压缩空气要求(清模选购项) compressed air(clean mould)		0.4-0.7mpa X 100L/min							
报警功能 alarm		逆相、媒体不足、媒体泵过负荷、温度探头断线、温度上下限报警 phase fault, lack medium, pump overload,thermocouple fault,temperature low/high limit alarm							
电源 power	主回路电压 main current power	V	380VAC 3P/PE 50Hz						
	控制回路电压 control current voltage	V	220VAC 1P/PE 50Hz						
	总电气容量(kW)Total electric capacity	200V/220 V/380V	27.2	67.6	19.7	27.2	40.6	20.4	27.2
	主空开容量(A)Main breaker capacity	200V/220V 380V/415 V/440V	63	200	100	100	100	100	100
电源线 power line	M	5							
涂装 color	机架本体 rack		白(RAL7047) gray						
	电气箱门、封板 electric box, cover plate		蓝色(RAL5012) blue						
	SUS不锈钢部分 SUS stainless steel part		无 None						
重量 weight	KG	154	160	161	140	140	167	190	
外形尺寸(长×宽×高) dimensions (L×W×H)	mm	1047×600×650	1320×900×926	1080×580×660	1080×580×660	1350×600×830	1080×580×660	1080×580×660	

注：产品规格若有变更，恕不另行通知。 We reserve right to change specifications without prior notice.

有关产品性质和适用范围的说明并不保证产品属性，仅作可供了解的信息。我们的供货范围及提供的服务完全以合同条款为准绳。技术数据和插图仅作为供货参考。保留更改权利。

Feature and scope of the product does not guarantee the product attributes,only for reference.Our scope of delivery and services provided are based solely on the terms of delivery and services provided are based solely on the terms of the contract.Technical data and illustration are only for reference .We reserve the rights of changing.

TSD-2021-12

广东拓斯达科技股份有限公司

GUANGDONG TOPSTAR TECHNOLOGY CO.,LTD.

地址：广东省东莞市大岭山镇大塘朗创新路2号

ADD : No.2 Chuangxin Road, Datanglang, Dalingshan Town, Dongguan City, Guangdong Province.

电话/TEL: 0769-8305 0999 传真/FAX: 0769-8584 5562

全国统一客服热线 Domestic Service Hotline **400-096-8005**

